

**ELECTROLUX OUTDOOR PRODUCTS**

<b>PNC</b>	<b>Engine</b>	<b>Model</b>	<b>Brand</b>
953878135	B&S	PP4546SX	Partner

Number of Pages 1 of 3

**Factory: ILY - Parabiago**

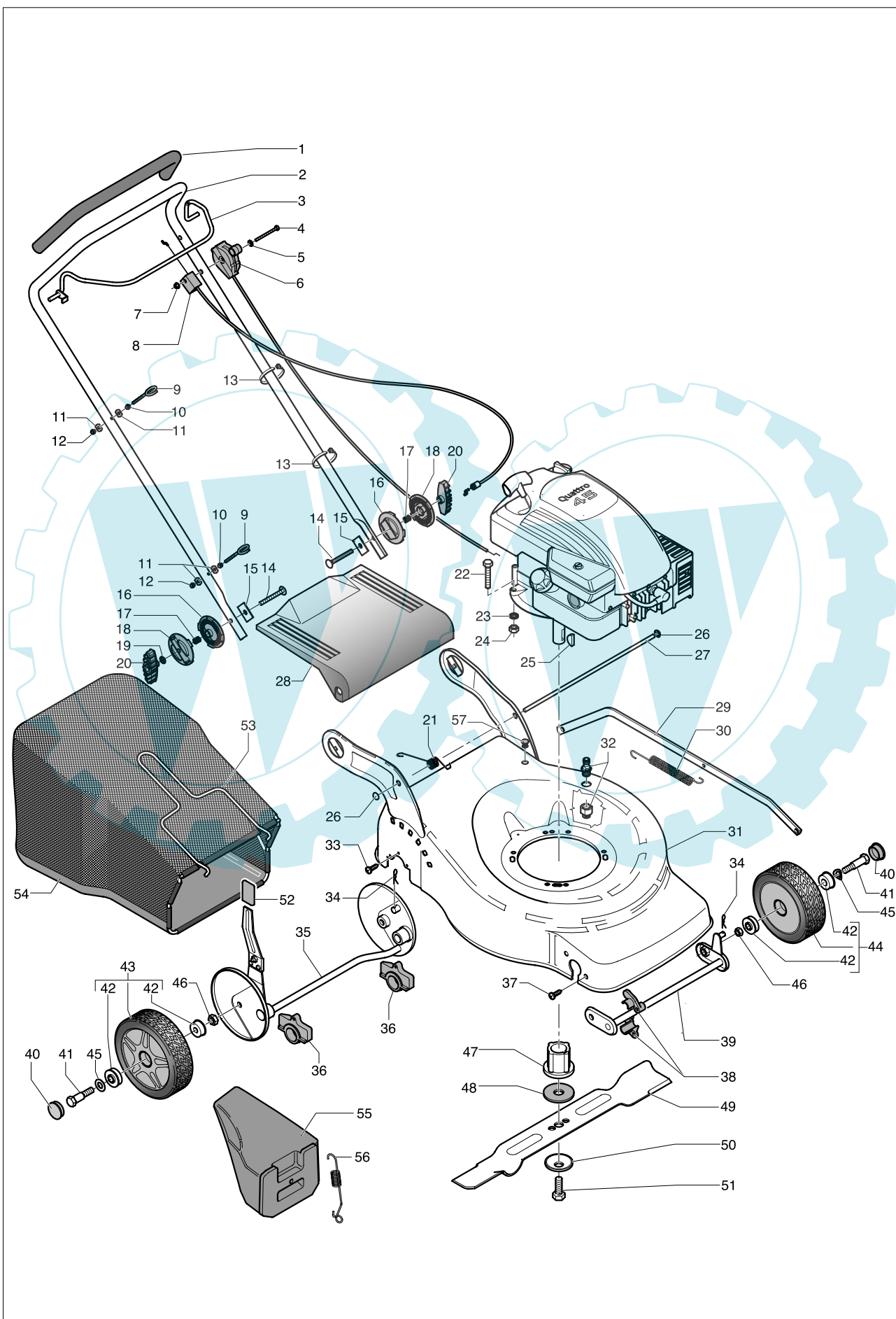
**Publication Number: EIPL2005\_PP0501020**

**Publication Date: 31/01/05**

**Product Group: ON 107**

**Petrol Wheeled**

**Sub Group: 1073**



Pos.	PN ELX	MEP Pn°	DESCRIPTION	Q.ty	Pos.	PN ELX	MEP Pn°	DESCRIPTION	Q.ty
1	531205989	10146243	SHEATHING	1	33	531208216	20135720	SCREW	2
2	531211438	10172933	HANDEL	1	34	531206653	10281400	COTTER PIN	2
3	531211452	10135891	LEVER	1	35	531212578	1012109ZC	REAR AXLE	1
4	531206212	10155420	SCREW	1	36	531205944	10146093	SUPPORT	2
5	531206666	10284700	WASHER	1	37	531208844	20734900	SCREW	4
6	531206210	10155360	THROTTLE	1	38	531205057	10120473	SUPPORT	4
7	531205213	10121890	NUT	1	39	531212587	1012029ZC	FRONT AXELE	1
8	531205191	10121610	BRAKE CABLE	1	40	531210538	10114801	PLUG	4
9	531205169	10121470	CABLE HOOK	2	41	531205042	10120090	SCREW	4
10	531207165	10501200	NUT	2	42	531205214	10121900	BALL-BEARING	8
11	531204961	10115900	WASHER	4	43	531210613	O9122041	WHEEL	2
12	531208491	20281800	NUT	2	44	531210703	O9175111	WHEEL	2
13	531205581	10135600	CLAMP	1	45	531206644	10275100	WASHER	4
14	531211480	10173060	SCREW	2	46	531207978	20101700	NUT M10 H	4
15	531211581	10173103	PLATE	2	47	531207242	10531600	BLADE ADAPTER	1
16	531211473	10173003	DISCK	2	48	531207243	10531700	WASHER	1
17	531211476	10173033	SPRING	2	49	531211017	10172770	BLADE	1
18	531211474	10173013	DISCK	2	50	531207237	10530900	WASHER	1
19	531204922	10114200	WASHER	2	51	531208008	20120580	SCREW	1
20	531205840	10141253	KNOP	2	52	531207986	20107203	SHEATING	1
21	531211840	10173270	SPRING	1	53	531211436	10172913	SAC FRAMKE	1
22	531205196	10121700	SCREW	3	54	531211437	10172923	SAC	1
23	531207981	20106200	WASHER	6	55	531210617	10172700	MULCHING PLUG	1
24	531207982	20106300	NUT	3	56	531211184	10172820	SPRING	1
25	531204907	10100900	KEY	1	57	531205153	10121353	PLUG	1
26	531210824	10175400	WASHER	2					
27	531211441	10172980	TIE ROD	1					
28	531205982	10146211	DEFLECTORE	1					
29	531205069	10120653	ROD	1					
30	531205056	10120460	SPRING	1					
31	531211744	10172963	DECK	1					
32	531205848	10141313	COMPLETE CONN.	1					